

ANTI MICROBIAL ACCESSIBLE DESIGN SOLUTIONS



 GENTEC



COMCARE

Solutions for

Health, Aged Care & Accessibility Areas
Food Preparation & Processing Plants
Hotels & Shopping Centers
Sports & Leisure Facilities
Education & Universities

R11
COMCARE

COMCARE



The Comcare range has been designed to comply with the latest Access Code requirements. This range successfully marries functionality and aesthetics to create an appealing alternative to the standard stainless steel products found in accessible areas.

Providing accessible solutions in bathrooms has become a requirement in new projects. The demand is for solutions which incorporate convenience and function with comfort and aesthetic designs. For a variety of living spaces, such as the home, public and in the healthcare sector, the Comcare range will enhance your facility by providing a hygienic and easy to care for product without creating an institutionalised atmosphere.

Market Usage

Public Facilities, Community Centres, Health & Aged Care, Hospitals, Council Facilities, Commercial Facilities, Disabled & Accessibility

Technology

This range uses some of the best sustainable materials available in European designs. The coating used in the Comcare range has been tested by SGS laboratories against anti-microbial with the result of >99% pass.

Configurations

Options

Fold Down Arms
Back Rest
Basing Supports
Grab Bars
Shower Seat

Associated Products

Cleanline - Lever Action Taps
Flomix - Mixing Valves
Actec - Stainless Accessories

Inserts

Aluminium (Standard)
Stainless Steel (Ordered on request)

Colours

White (Standard)
Orange (Optional)
Other colours are available by request

Installation Requirements

Ensure the product is installed in accordance with Australian Access Code of practice AS/NZ 1428.1. Fix the brackets into the wall using either metal plasterboard anchors for plasterboard partitioning or fixing plugs if it is a solid wall.

Please Note: Make sure you have a secure metal or wood plasterboard fixing so that the rail or bracket is strong enough for support. These products have been designed to withstand a downward weight of 150kg.

Warranty

Our standard warranty terms and conditions for this range is 5 years. For further information, please refer to our standard warranty terms and conditions of sale.

Standard/Compliance


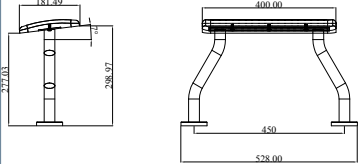
Install Gentec Products in confidence. Our products are tested and certified to AS/NZ 1428.1


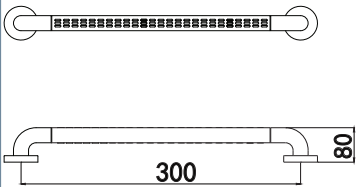
Gentec Products Combining leading edge, technology, design, innovation


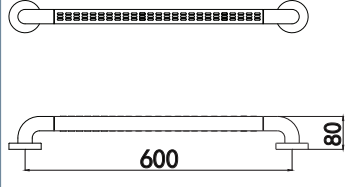
The Gentec Australia product offering delivers fit for purpose products that are globally recognised, designed and manufactured to incorporate the best technology, sustainability and durability for any commercial application.


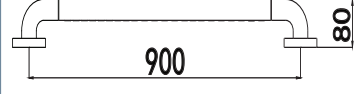
COMCARE

Product	Technical Drawing	Specifications
---------	-------------------	----------------

		Code CC3500 ● ● ●
		Stainless Steel Padded Back Rest

		Code CC8001 ● ● ●
		Anti-Microbial Non Slip 300mm Rail

		Code CC8003 ● ● ●
		Anti-Microbial Non Slip 600mm Rail

		Code CC8900 ● ● ●
		Anti-Microbial Non Slip 900mm Rail


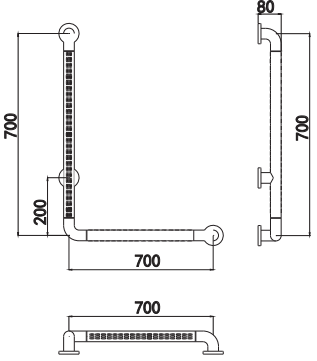
Applicable Market ● Commercial ● Health ● Industrial ● Hospitality ● Scientific


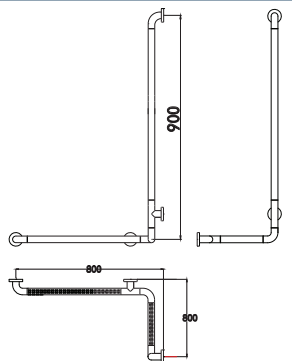
COMCARE


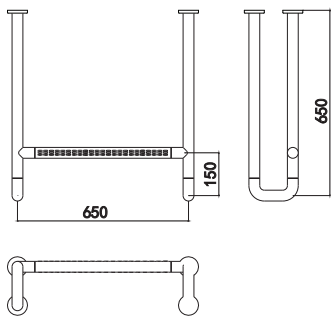
Product


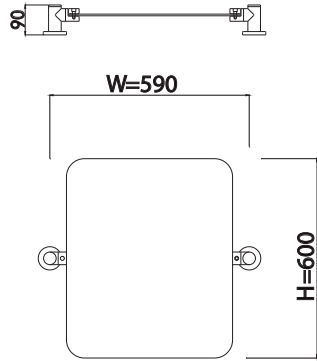
Technical Drawing

Specifications

		<p>Code CC8007 ● ● ●</p> <p>Anti-Microbial Non Slip 700x700mm Ambulant Rail</p>
---	---	---


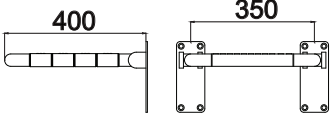
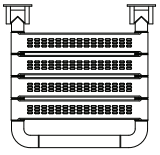
		<p>Code CC8023 ● ● ●</p> <p>Anti-Microbial Non Slip Adjustable 800 x 800 x 900mm Shower Rail System</p>
--	--	---


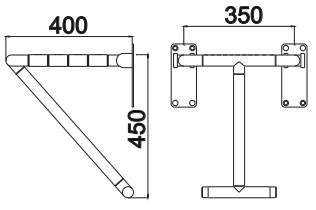
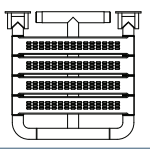
		<p>Code CC8033 ● ● ●</p> <p>Anti-Microbial Non Slip Wall Mounted Basin Support Arms</p>
---	---	---


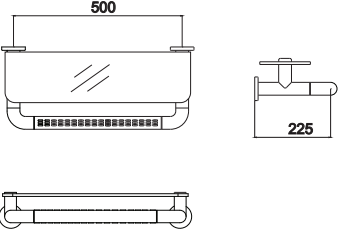
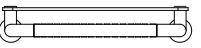
		<p>Code CC8041 ● ● ●</p> <p>Anti-Microbial Non Slip Adjustable Tilt Mirror</p>
---	---	--

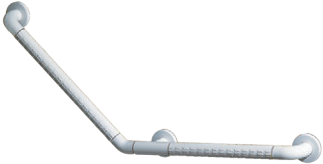
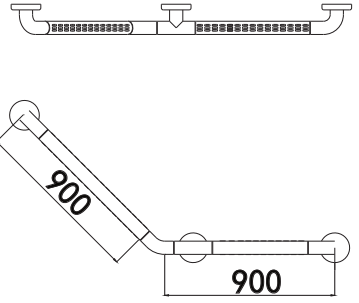
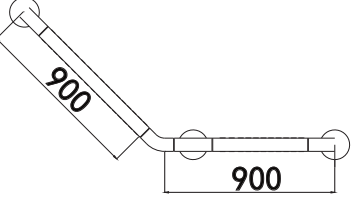
COMCARE

Product	Technical Drawing	Specifications
---------	-------------------	----------------

		<p>Code CC8043 ● ● ●</p> <p>Anti-Microbial Non Slip 400mm Fold Down Shower Seat with Support Leg</p>
		

		<p>Code CC8045 ● ● ●</p> <p>Anti-Microbial Non Slip 400mm Fold Down Shower Seat with Support Leg</p>
		

		<p>Code CC8049 ● ● ●</p> <p>Anti-Microbial Non Slip 500mm Grab Rail and Shelf</p>
		

		<p>Code CC8009900 ● ● ●</p> <p>Anti-Microbial Non Slip 900x900mm Rail at 135°</p>
		


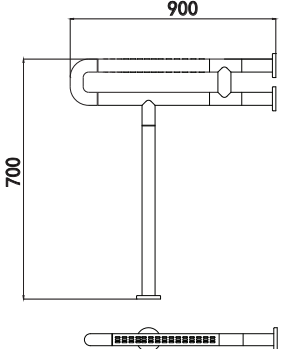
Applicable Market ● Commercial ● Health ● Industrial ● Hospitality ● Scientific

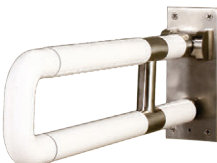
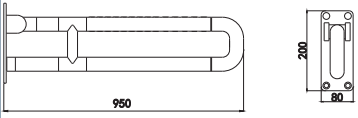
COMCARE


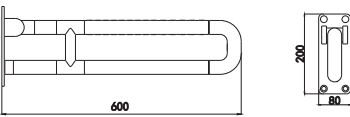
Product

Technical Drawing

Specifications

		<p>Code CC8021 ● ● ●</p> <p>Anti-Microbial Non Slip 600mm Fixed Rail with Support Leg</p>
---	---	---

		<p>Code CC8011950 ● ● ●</p> <p>Anti-Microbial Non Slip Adjustable 950mm Drop Down Rail</p>
--	--	--

		<p>Code CC8010 ● ● ●</p> <p>Anti-Microbial Non Slip 600mm Drop Down Rail</p>
---	---	--